

Fixture Safety Guide



Revised July 2022

Table of Contents

Introduction..... 3

Fixture Safety Checklist..... 4

Shelf Bolting..... 5

Peg Board Safety Bolting..... 13

Wall Mount Anchoring..... 24

Cross Tubes 28

Rack and Displays 31

Stand-up Merchandise Restraints 50

General Safety Information 56

Introduction

This Fixture Safety Guide contains detailed information to be used by Merchandise Service Organizations (MSO) engaged by Ace to install and/or secure racks and displays in an Ace store.

The purpose of this guide is to establish a consistent and safe criterion for MSO teams who are installing or securing fixtures and displays. The directions and procedures set forth in this guide are not to be considered optional, and alternatives will not be accepted without proper approval from Ace's Safety Compliance team.

The guide is organized into the following five areas of safety Installation.

- 1. Safety Shelf Bolting**
- 2. Safety Pegboard Bolting**
- 3. Racks & Displays**
- 4. Stand-up Merchandise**
- 5. General Safety Installation**

For any questions or feedback about this guide, please contact the Retail Operations Department at (630)990-3571

Fixture / Display Safety Checklist

To be completed by the Merchandise Service Organization Team Lead.

By checking the boxes below, you are confirming that you have followed the safety guidelines outlined in the Ace Fixture Safety Guide and/or the manufactures installation instructions. Draw a line through any items that are not applicable.

Shelf Bolting

- Paint & Stain Gallons
- Paint Thinner
- Rust Stop
- Spray Paint
- Water Sealants
- Boxed Nails
- Lawn & Garden Chemicals
- Cleaning Chemicals
- Galvanized Plumbing Fittings
- Trash Bags
- Motor Oil
- Pool Chemicals

Pegboard Bolting

- Sockets
- Power Tool Accessories
- Threaded Wire
- Builder's Hardware
- Padlocks/Door Locks
- Chain
- Hammers/ Pry Bars/Clamps
- Garage Springs/Accessories
- Tie-downs/Bungees
- Brooms/Mops (if not on wall)
- Closet Shelving

Racks/Displays Which Need to Be Secured

- Brass Fittings Slider Display
- Faucet Repair Slider Display
- Galvanized Fitting Slider Display
- Stake Rack
- Vinyl Tubing Rack
- Cabinet Hardware Display
- Toilet Seat Rack
- Faucet Display
- Striking Tool Rack
- Cabot Stain Display
- Grill Divider Display

- Water Heater Display
- Pressure Washer Display
- Spices and Rubs Display
- Battery Endcap
- Wing Panel Displays (on endcaps)
- Chainsaw Display
- Westinghouse Lighting Display

Stand-up Merchandise That Needs Safety Stop Restraint

- Ladders (when merchandised facing the customer, non-book-cased)
- Copper Pipe
- PVC Pipe
- Drainpipe
- Conduit
- Roof Gutters
- Metal Flashing

General Fixture Installation Compliance

- Verified that proper wall blocking installed on walls for perimeter gondola securing.
- Verified that heavy duty uprights are installed in Paint department in required locations.
- Verified that all gondola sections are level and plumb.
- Verified that all gondola runs are straight using a ladder to obtain a bird's eye view.
- Verified that all gondola shelves are straight and level with no uneven gaps between.
- Verified that all end caps are level and plumb with end cap stabilizer bracket properly installed

Shelf Bolting

Shelves need to be loaded and leveled prior to bolting. Install bolts, nuts and washers (both sides) through pre-drilled holes underneath each shelf as seen in the pictures below.

The required hardware for each shelf being bolted together is;

1 Hillman #10-24 x ¾” bolt

1 Hillman #10 – 24 nuts

Shelving Bolts



Shelving Bolts



The following categories require shelf bolting

Nails / Screws



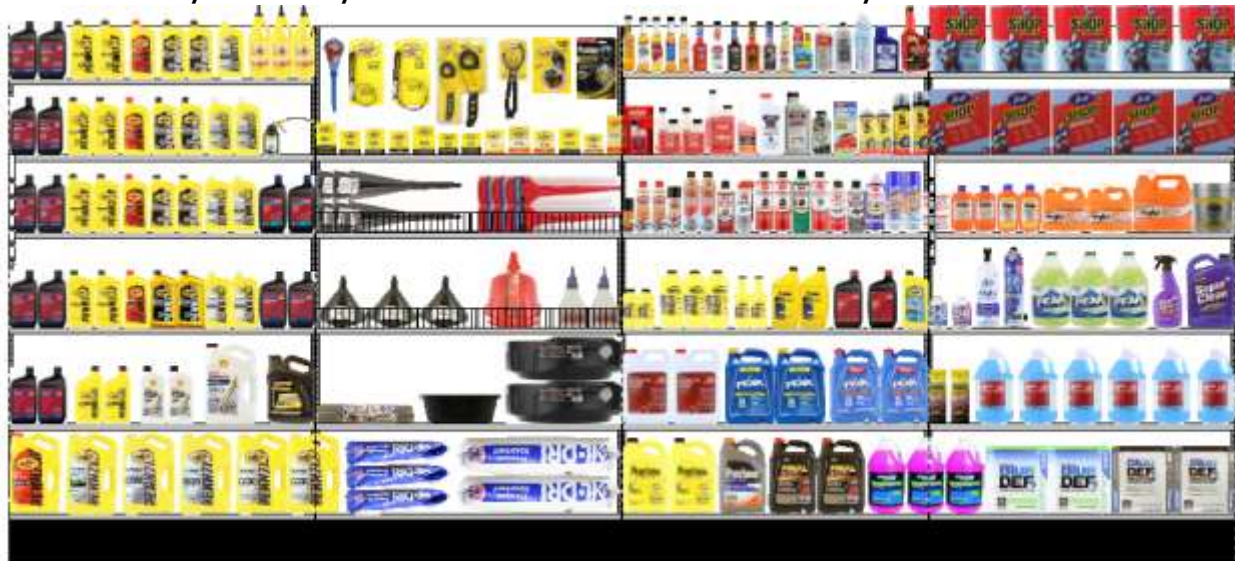
Household Cleaners



Lawn and Garden Chemicals



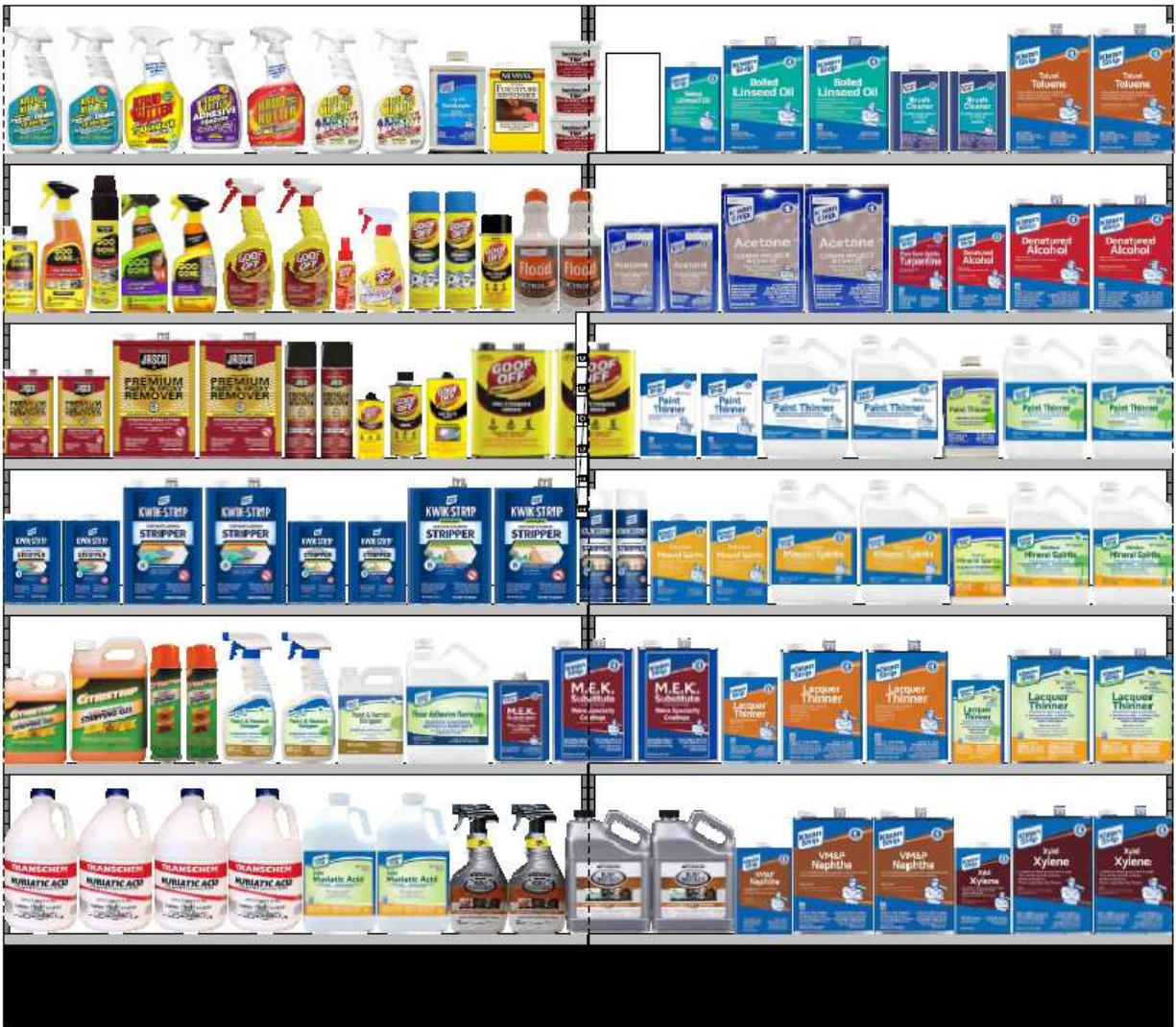
Motor Oil/Filters/Maintenance Chemicals/Hand Cleaners



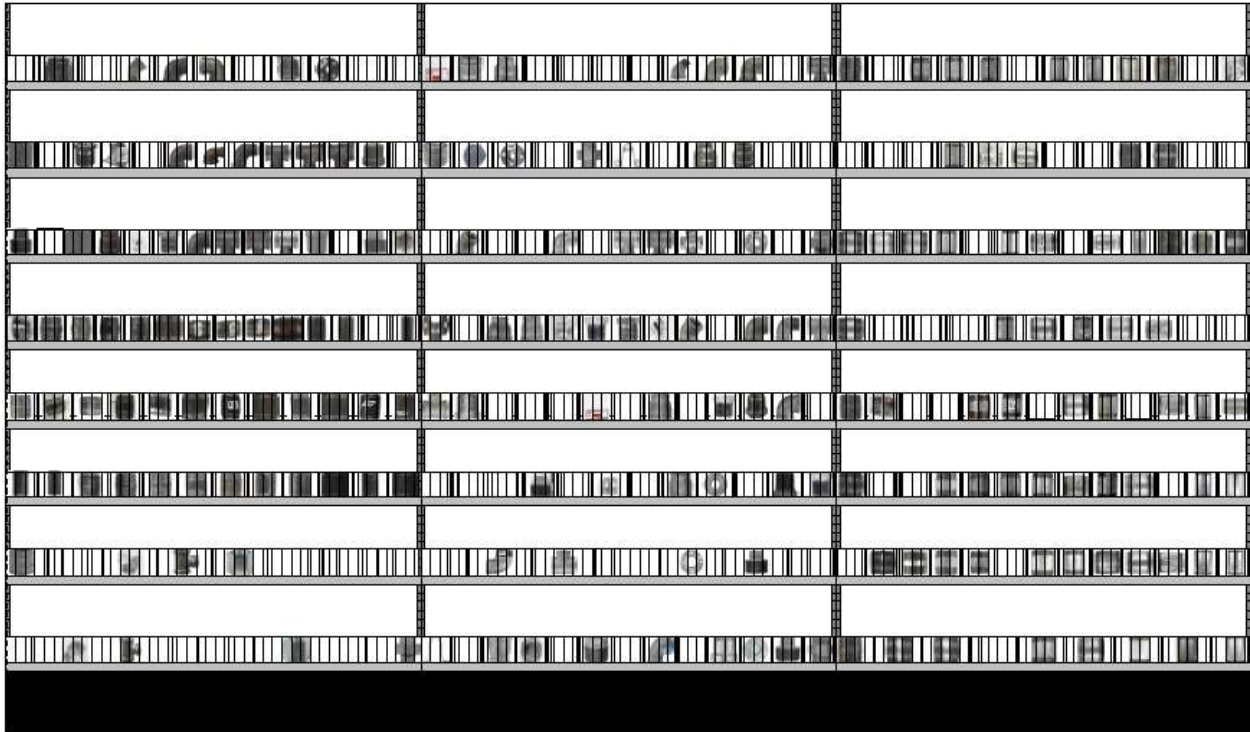
Paint and Stain – All Brands



Solvents / Thinners



Plumbing Fittings (Galvanized and Black)



Pool Chemicals



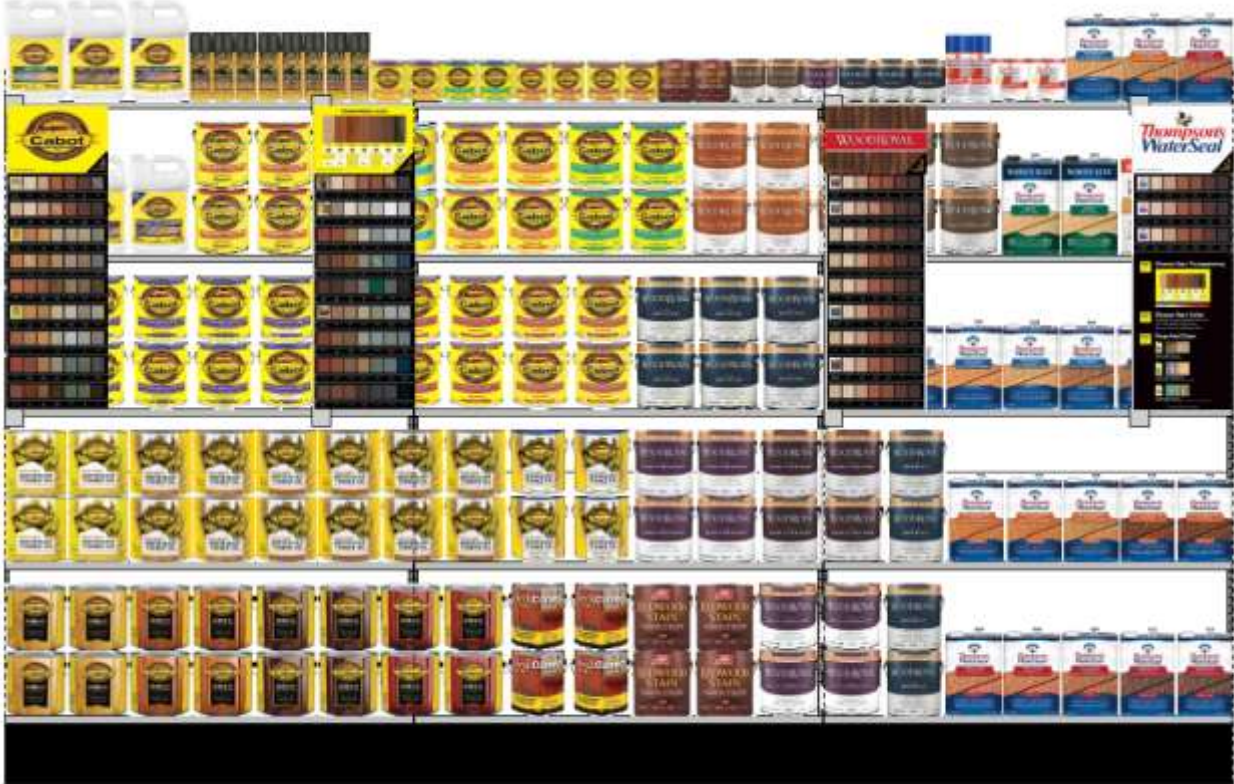
Spray Paint



Trash Bags



Exterior Stains / Waterproofing



Pegboard Safety Bolting

Ace Hardware Peg Board Merchandising

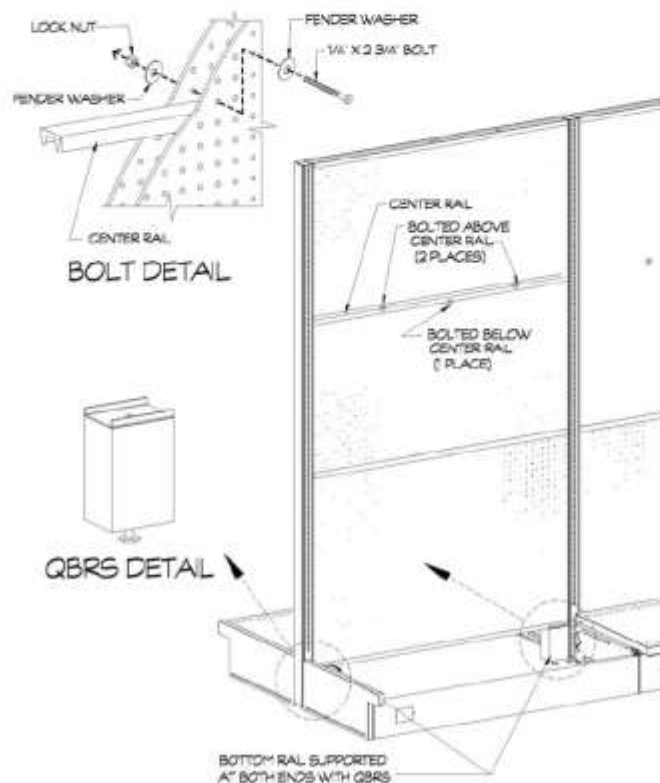
The following steps should be taken to safely merchandise the described product:

- 1) The bottom rail should be firmly supported underneath by placing blocking under each end of the bottom rail and against the uprights. Location of these blocks is critical and must make firm contact between both the floor and the bottom rail. Suitable blocking (QBRs) is available from Lozier.
- 2) The upper back on 84" high sections must be restrained by bolting the backs together around the center rail. The center rail should be located approximately vertically in the center of the upper back.

Hardware: 1/4" x 2-3/4" bolts, fender washers and lock nuts

Using the above hardware, bolt the backs together (both sides of the gondola) in two places above each rail and in one place below each center rail (for a total of three locations per center rail). Be sure to use fender washers on both sides.

- 3) Maximum load per 10" Southern Imperial Peg Hooks w/Fast Back Connectors is 15 lbs.
- 4) Following the above instructions and recommendations, the **maximum load per 4 ft. section should not exceed 500 lbs.**



LOZIER

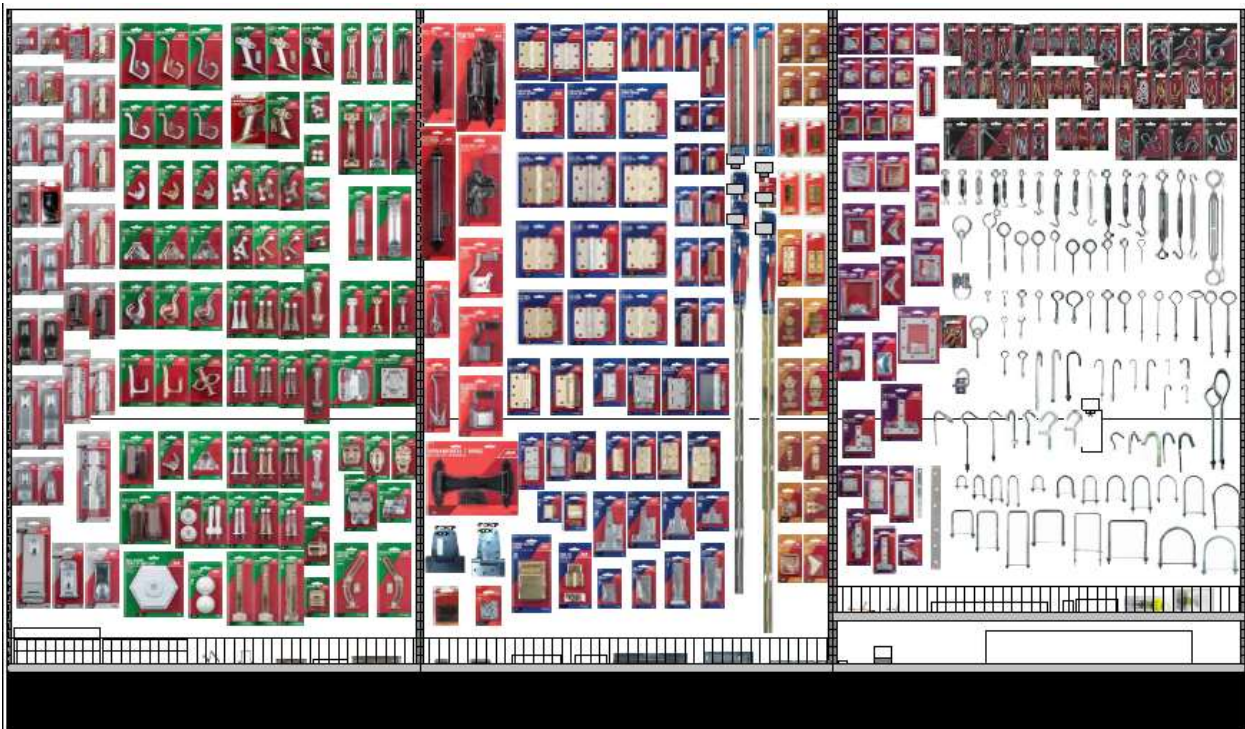
8-9-04 Prices and Specifications subject to change without notice "1-800-328-8882" www.lozier.com
©2004 Lozier Corporation

The following categories require pegboard bolting

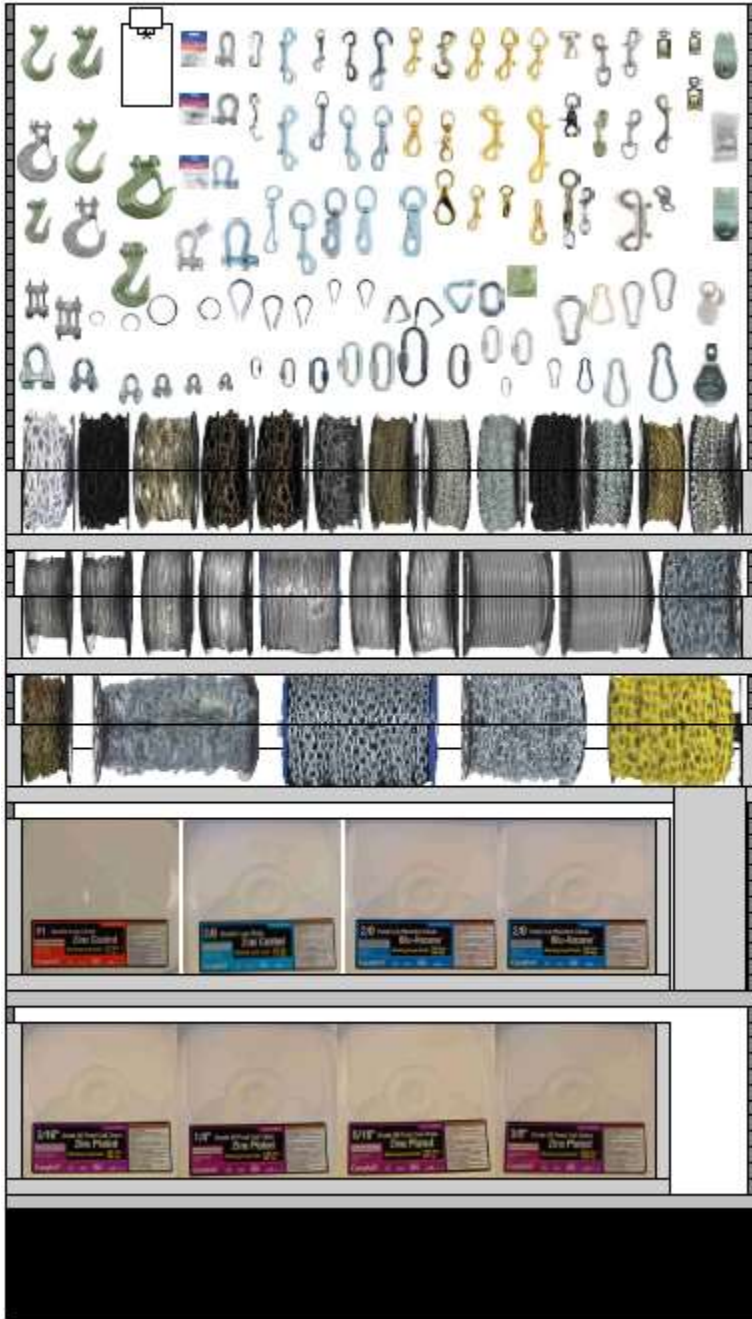
Mops/Brooms/Buckets (if not on wall)



Builders Hardware



Chain/Cable/Accessories



Household Shelving/Organization



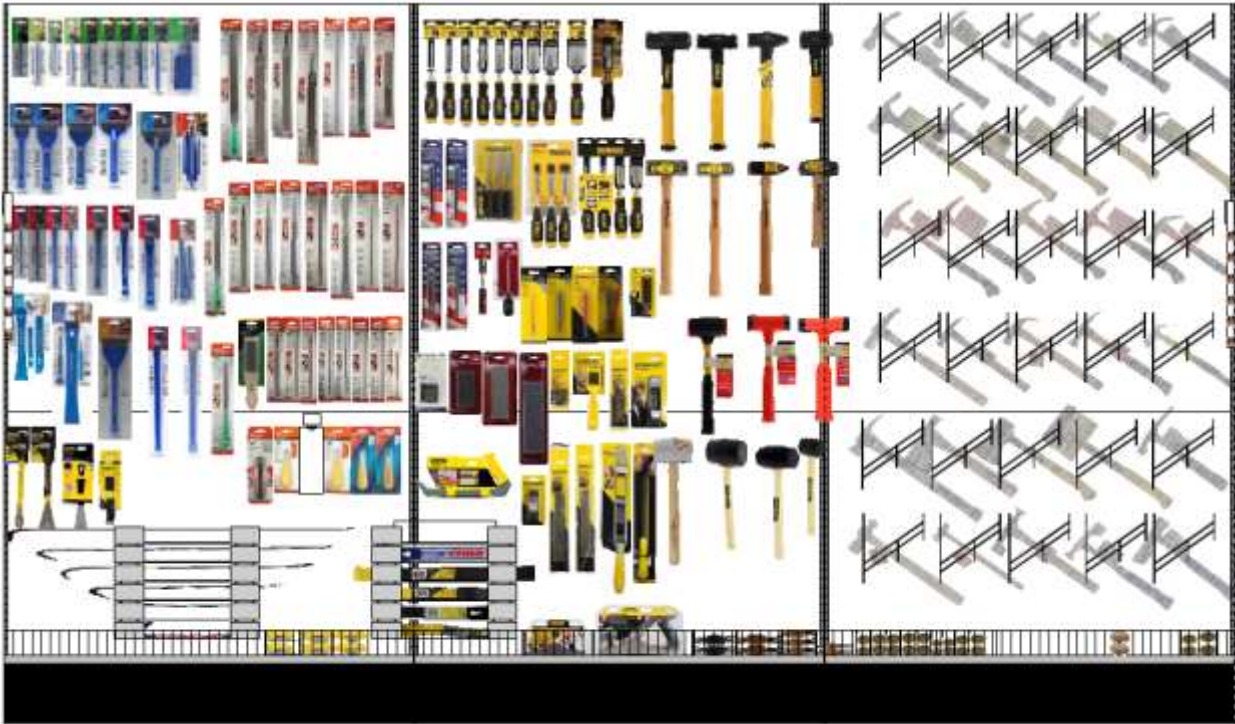
Door Locks



Garage Springs and Accessories



Hammers / Chisels / Planes / Files



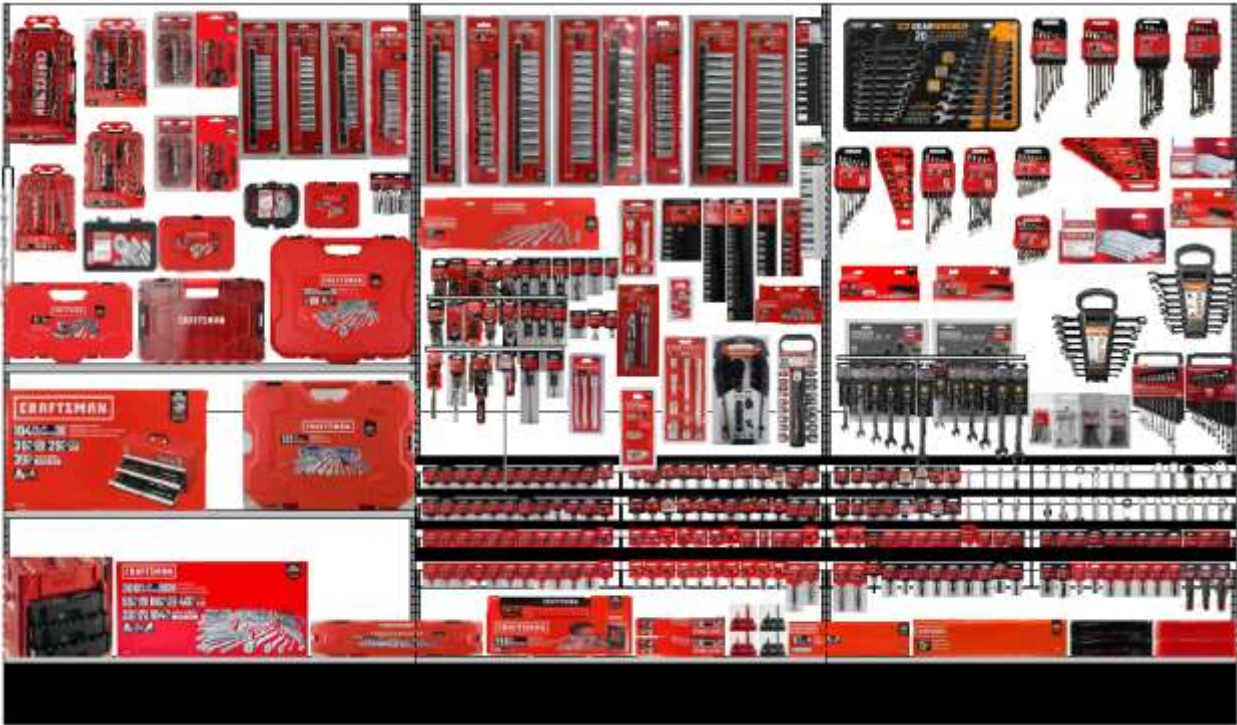
Padlocks



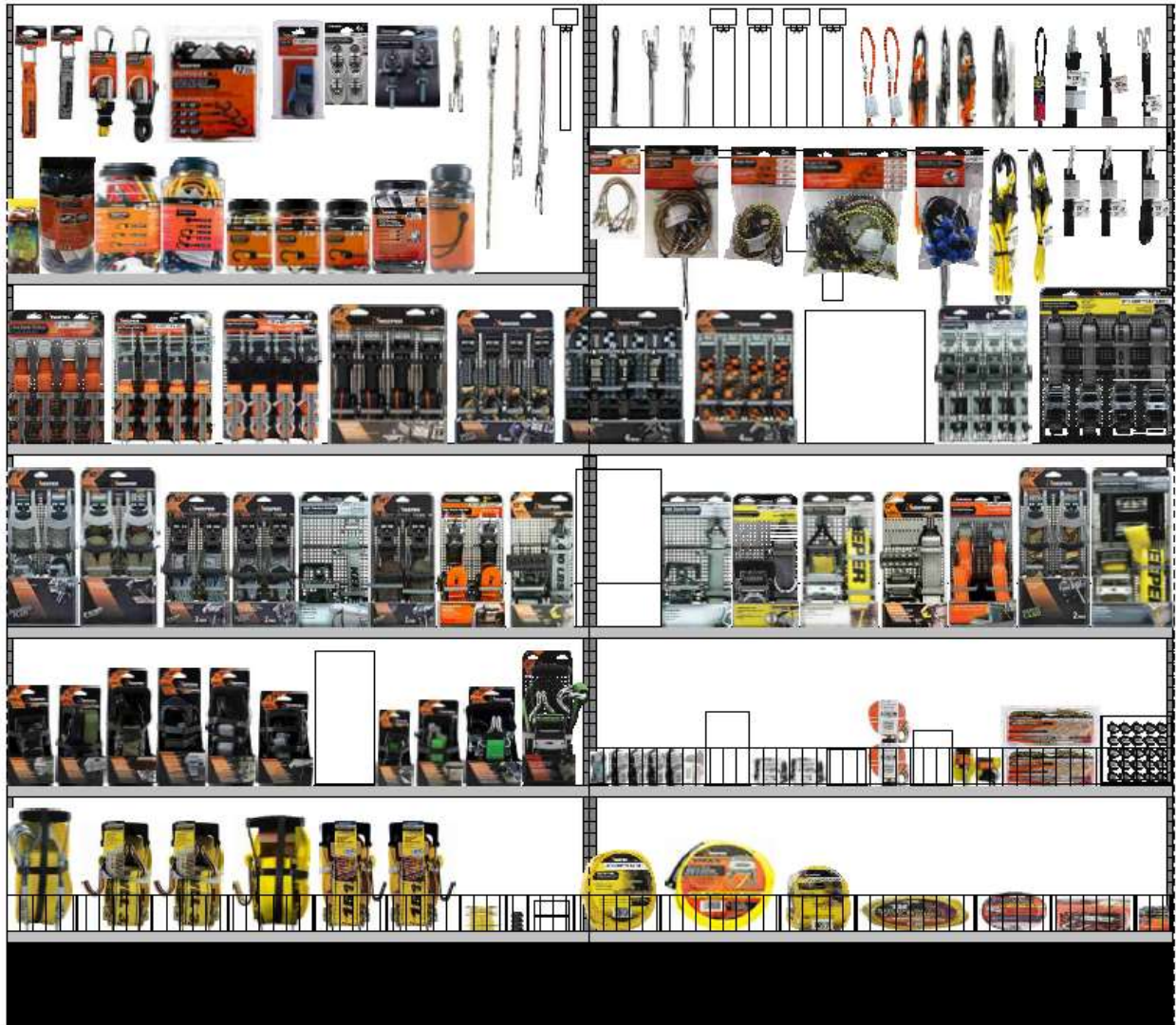
Drill/Driving/Cutting Accessories



Sockets / Wrenches



Tie Downs / Bungees



Towing



Wall Mount Anchoring

INSTALLATION INSTRUCTIONS

WALL MOUNT BRACKET (DC2191)

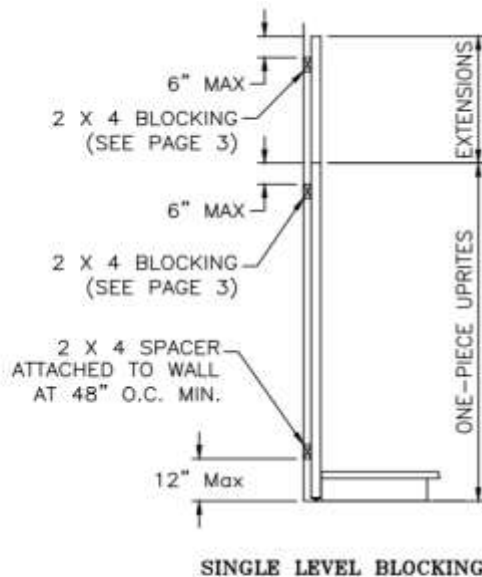
Anchoring of all Wall Sections is recommended for limiting deflection under loaded conditions. Wall Sections must be assembled per Display Shelving Installation Instructions 01-13. Wall Sections must have base brackets installed.

The purchaser of the fixture is responsible for determining the suitability of any specific wall or structure to which shelving is anchored, for the selection of and/or proper installation of the anchoring fasteners, hardware and materials, and for the workmanship of those performing anchoring. These guidelines are meant to illustrate typical types of anchoring and do not constitute any endorsement by Lozier of any specific anchoring application. Each application will vary due to the building, structure and materials used for anchoring, and professional advice should be sought for each anchored installation.

Anchoring situations other than those illustrated may be encountered. As a guideline, each anchoring location shown must provide a minimum of 450 pounds of pull-out resistance per fastener and be located as shown in these illustrations. Extreme care must be taken to insure that the building wall or other structure is solid and suitable for anchoring and will support the load being anchored to it.

CAUTION: DO NOT USE PLASTIC OR FIBER ANCHORS, CONCRETE NAILS, OR REGULAR NAILS.

CAUTION: DO NOT OVERTIGHTEN FASTENERS. OVERTIGHTENING CAN CAUSE MATERIAL DAMAGE OR THREAD DAMAGE, CAN WEAKEN THE CONNECTION, AND COULD CAUSE THE PRODUCT TO COLLAPSE CAUSING BODILY INJURY OR PROPERTY DAMAGE.



INSTALLATION INSTRUCTIONS

WALL MOUNT BRACKET (DC2191)

CENTER UPRITES— Slide Wall Mount Bracket over Upright Side Channel. (See FIGURE 2).
Attach Wall Mount Bracket to appropriate wall or 2 x 4 Blocking.

END UPRITES— Place Wall Mount Bracket over the lip of the Upright side channel. (See FIGURE 3).
Attach Wall Mount Bracket to appropriate wall or 2 x 4 Blocking.

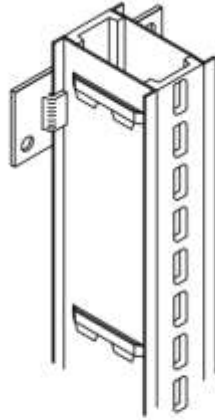


FIGURE 2
CENTER UPRITES

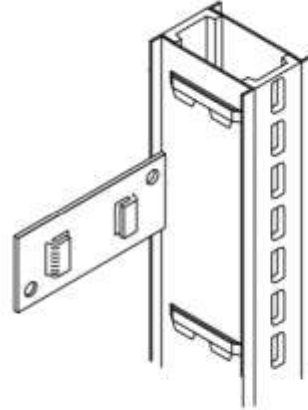
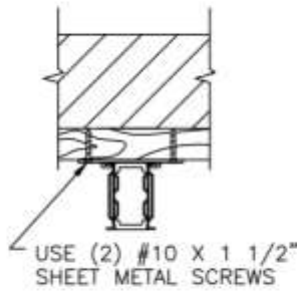
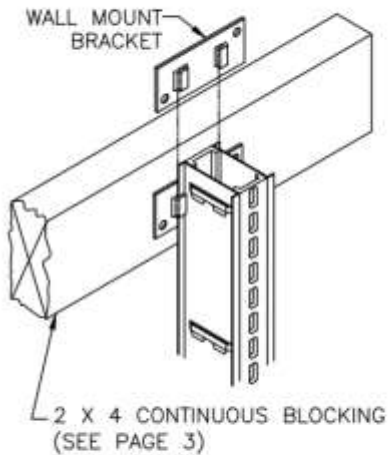
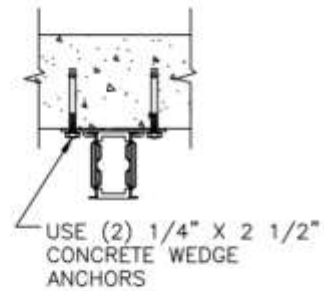


FIGURE 3
END UPRITES

NOTE: All fasteners shown are minimum diameter and length for applications illustrated.



**ALL TYPES OF WALL
WITH CONTINUOUS BLOCKING**



**DIRECTLY TO
CONCRETE WALL**

Lozier
©2018 LOZIER CORPORATION

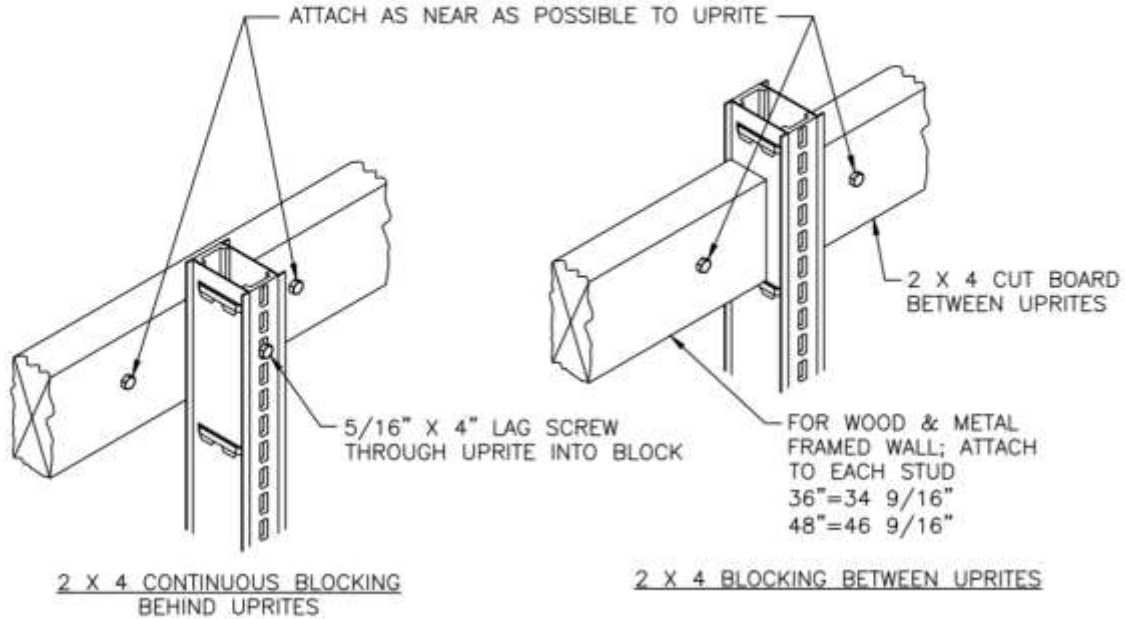
6336 PERSHING DRIVE
OMAHA, NEBRASKA 68110
(800) 228-9882

11-83 REV. L
OMPG120/SBPA219 11/16/18
PAGE 2 OF 3

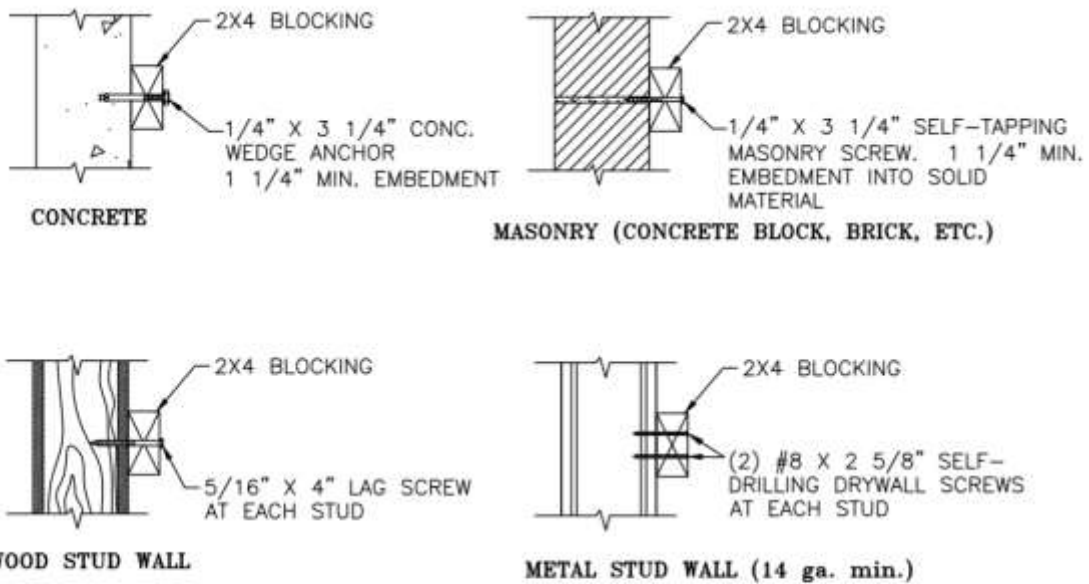
INSTALLATION INSTRUCTIONS

WALL MOUNT BRACKET (DC2191)

NOTE: All fasteners shown are minimum diameter and length for applications illustrated.



ATTACHING BLOCKING TO WALL



Lozier
© 2018 LOZIER CORPORATION

6336 PERSHING DRIVE
OMAHA, NEBRASKA 68110
(800) 228-9882

11-83 REV. L
OMPG120/SBPA219 11/16/18
PAGE 3 OF 3

The following categories require wall mount anchoring

Stihl



Cross tubes

The following categories require cross tubes

Garden Hose



Electrical Cord Sets



Garage Door Springs



Racks / Displays

Vinyl Tubing Display

Installation notes - Install crossbars into the uprights at top and bottom behind display. Install 3 self-tapping screws per crossbar to secure display to the crossbars as shown in pictures below.



Racks / Displays

Cabinet Hardware Display

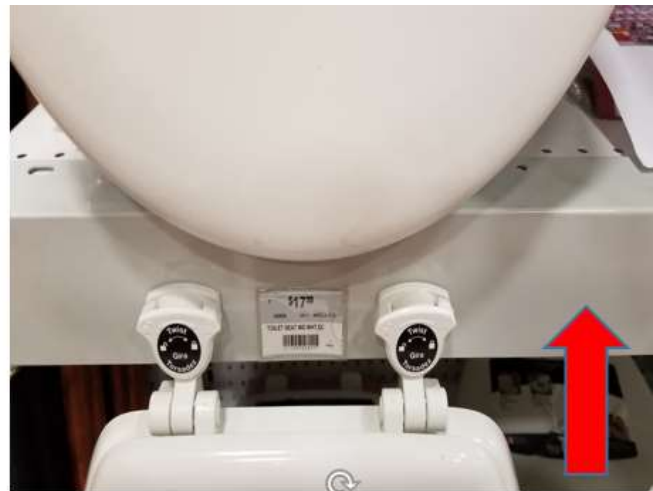
Installation notes – The mounting clips need to be installed on both sides of the display as shown in the picture below.



Racks / Displays

Toilet Seat Display

Installation notes – Install three bolts in the seat holder bracket to each shelf. One bolt on the left, one in the center and the other on the right side of the shelf.



Racks / Displays

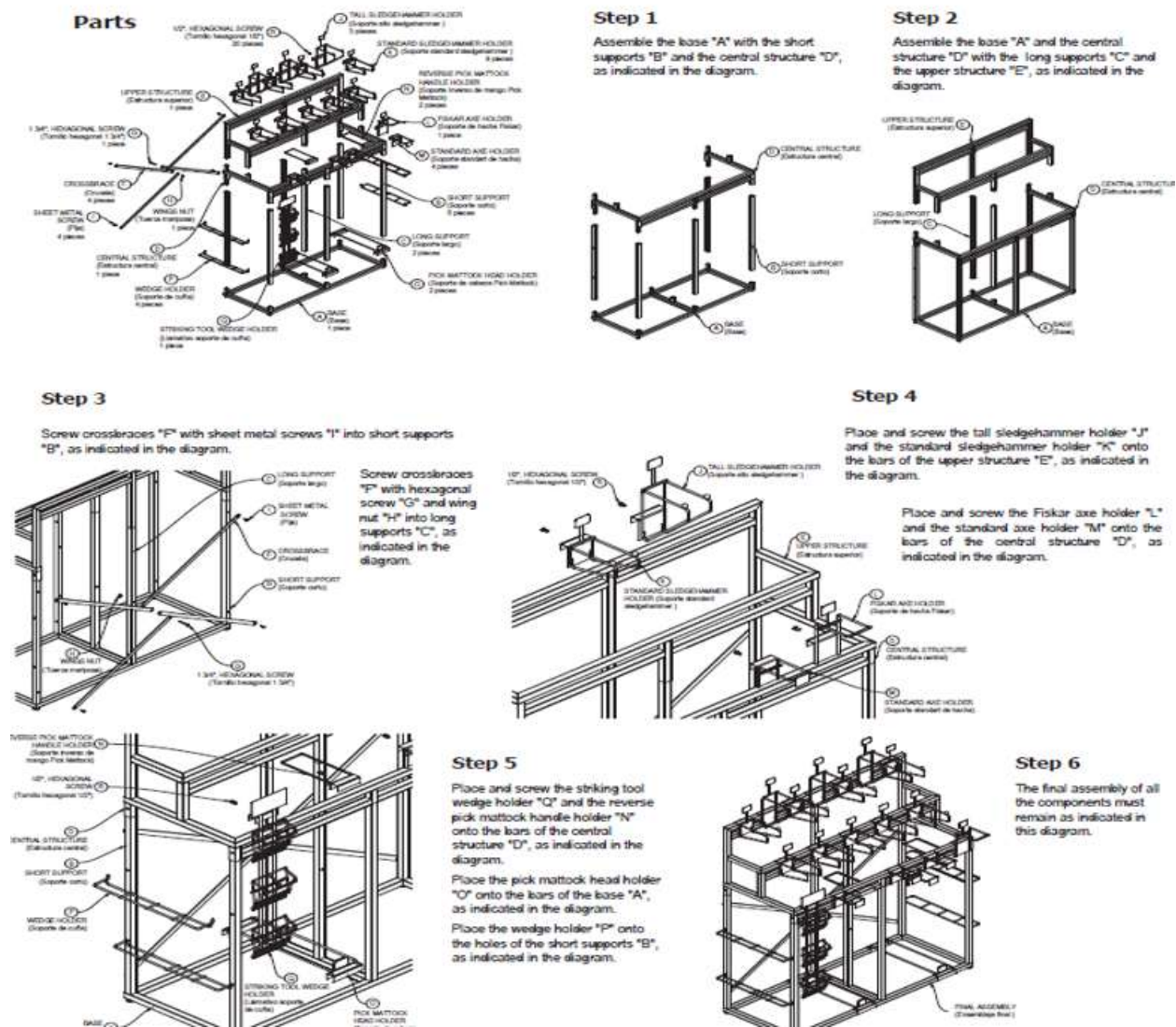
Striking Tool Display

Installation notes – Follow the Truper installation instructions. The base deck needs to be removed as this display sits on the floor.



4FT ACE Striking tool rack Instructive Assembly

R-HIMP-4
Code: 57014



Racks / Displays

Stake Rack

Installation notes - Install two crossbars 6" below top of display and 6" from base of gondola at the bottom.

Ensure that the display is secured as shown in pictures below. **Important! The rack must be merchandised exactly to planogram due to load bearing capacity.**



Racks / Displays

Water Heater Display

Installation notes - Secure each end of plastic tie strap to pegboard using bolts, washers & locknuts. Bolt will be secured on opposite side of gondola with lock nuts.

(2) 1/4" x 2-3/4" bolts

(2) 1/4" x 1-1/4" fender washers

(2) 1/4" lock nuts



Racks / Displays

Brass Fitting Sliding Rack and Faucet Repair Sliding Rack Displays

Installation notes - **!!!WARNING!!!** If the Guide Rail Bracket Retainers are not in the kit, DO NOT INSTALL THE UNIT. Assembly of the unit without these components presents a serious safety hazard and possible bodily injury.



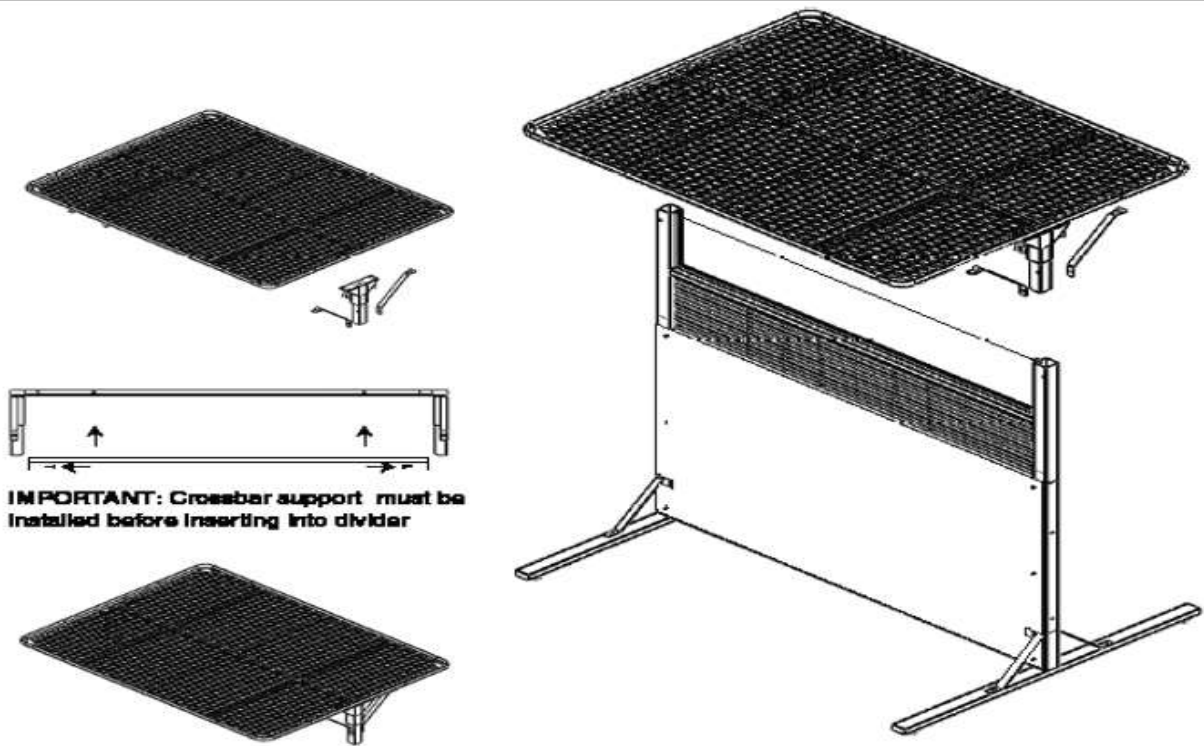
Racks / Displays

Grill Fence Divider

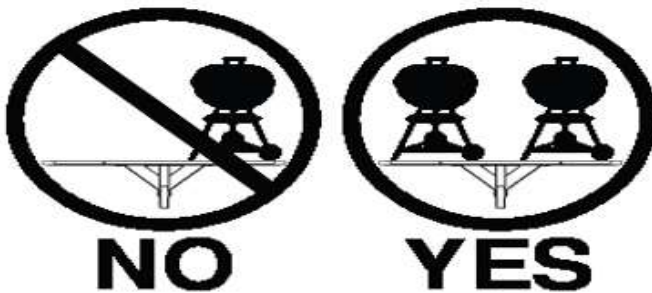
Installation notes – **!!!IMPORTANT!!!** 180 lb. maximum weight limit. 90 lb. per side. Keep balanced.

DIVIDER SHELF DISPLAY Grilling Assembly Instructions

For questions regarding installation, Please contact Retail First:
Phil Schau, phil@retailfirstcorp.com



IMPORTANT: Crossbar support must be installed before inserting into divider



IMPORTANT
- 180 lb. MAX
- 90 lb. per side
- Keep balanced

Racks / Displays

Sauces and Rubs Display

Installation note – Ensure shelves are fully and evenly seated in slots. When setting shelves, maintain balance. There is a maximum of 10 shelves per unit with **50 LBS MAX WEIGHT PER SHELF!!!**



Racks / Displays

Fuel Rack - Ace 9026052 - 200 lbs. capacity which needs to be evenly distributed



Racks / Displays

Pallet Bridge – Ace 9007632 – 100 lbs. total, evenly distributed



Racks / Displays

Cable Ties Mobile Merchandiser – Ace 9065243 – 1 lb. per hook, 55 lbs. per side of display.



Racks / Displays

Faucet Display

Installation note – The display bracket must be secured into the upright.



Racks / Displays

Pressure Washers

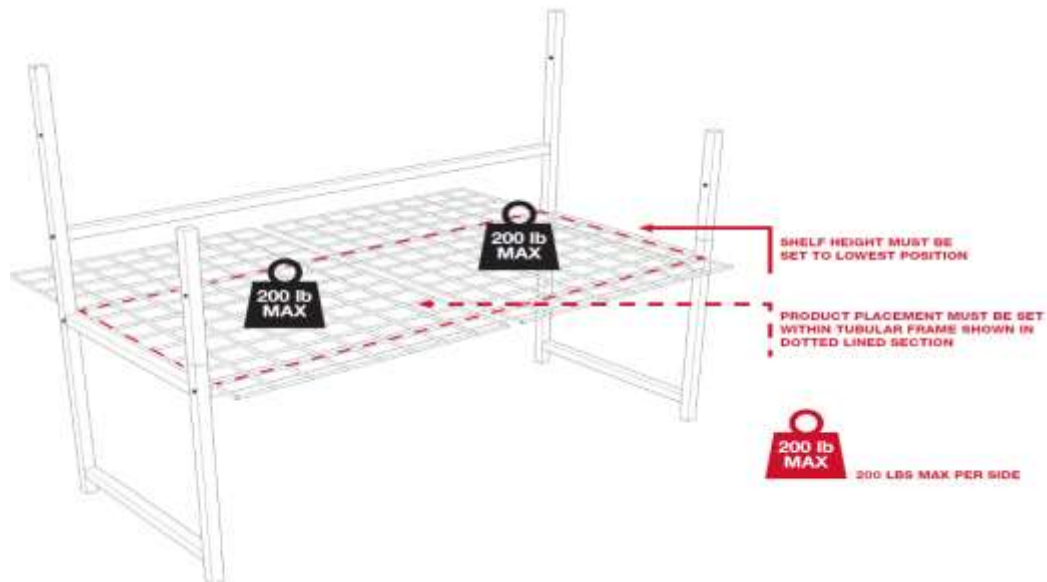
Installation notes – The liquid cleaners are heavy, as a result the rack can tip over if more than one pressure washer unit is removed from the display. Use caution when merchandising this unit.



Racks / Displays

Lawn Mowers

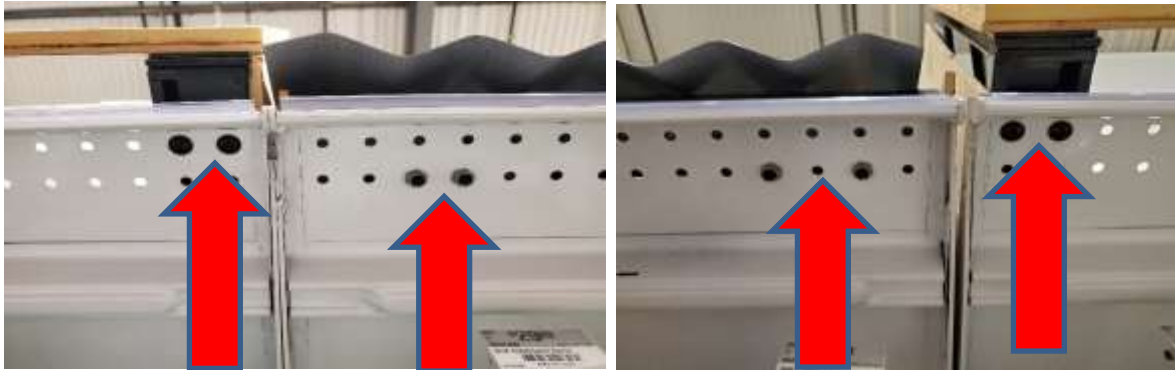
Installation notes – 200 lb. capacity per side. Use caution when merchandising to avoid the unit tipping over.



Racks / Displays

Canopy Signs

Installation notes - The Backyard & BBQ canopy signs need to be bolted to the shelf.

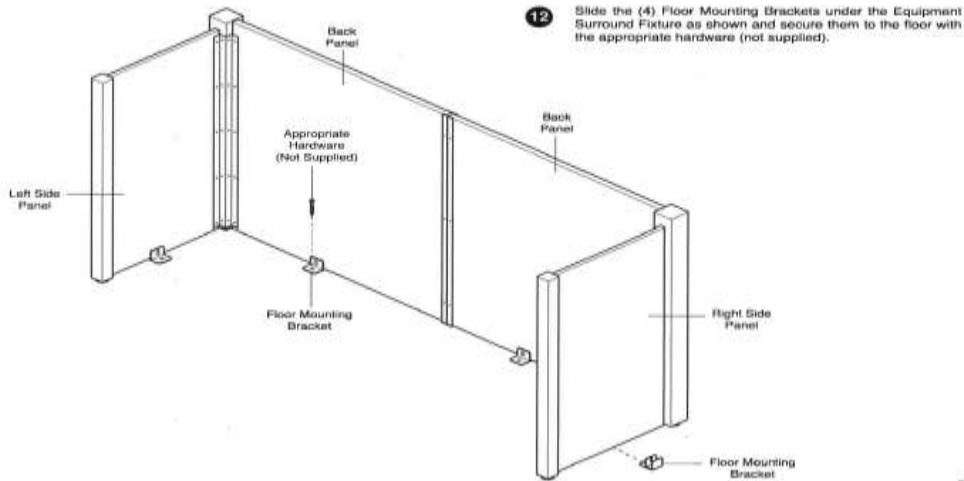


Racks / Displays

Paint Equipment Shroud

Installation Note – The equipment shroud should be bolted to the floor per the manufacturer’s instructions.

ACE Paint **EQUIPMENT SURROUND ASSEMBLY INSTRUCTIONS** Designed and Produced by NIVEN
©2015 Niven has been licensed to assist in quality and quantity. If you should experience a problem, please contact us immediately at 1-800-447-4679 and ask for customer service.



Racks / Displays

Chainsaw Display

Installation notes – The display needs to secure to the shelf. Place display on shelf even with the front edge. Use screws provided to secure display to shelf from under the shelf through holes in shelf front.



3. Place display on shelf even with front edge. Use screws provided to secure display to shelf from under the shelf through holes in shelf front.



4. Chainsaw is placed as shown. **IMPORTANT:** place blade with cover behind hinged bracket on backboard to secure into place.

Racks / Displays

Westinghouse Lighting Display

Installation notes – Fully assemble the unit on the floor or a large worktable. Two people are required to lift and place the display onto the shelf. The minimum depth of the base deck is 22” and the display needs to be secured to a shelf with a minimum depth of 19”. The display must be mounted to a shelf with a minimum weight rating of 210 lbs. or greater.

Follow the detailed instructions included within the display for proper installation.



Stand-up Merchandise Restraints

Installation notes - Measure and cut appropriate length of chain and attach link chain lap at one end and snap tie swivel eye at opposite end. Secure each end to dividers as shown in picture.

Hardware required;

(1) Ace sku 52093 snap tie swivel eye 5/8" blk

(1) Ace sku 52025 link chain lap 5/16" x 1-1/2"

Ace sku 5364997 3/16" proof coil chain (yellow)



Stand-up Merchandise Restraints

The following categories require these restraints.

Ladders



Pipe / Copper Tubing



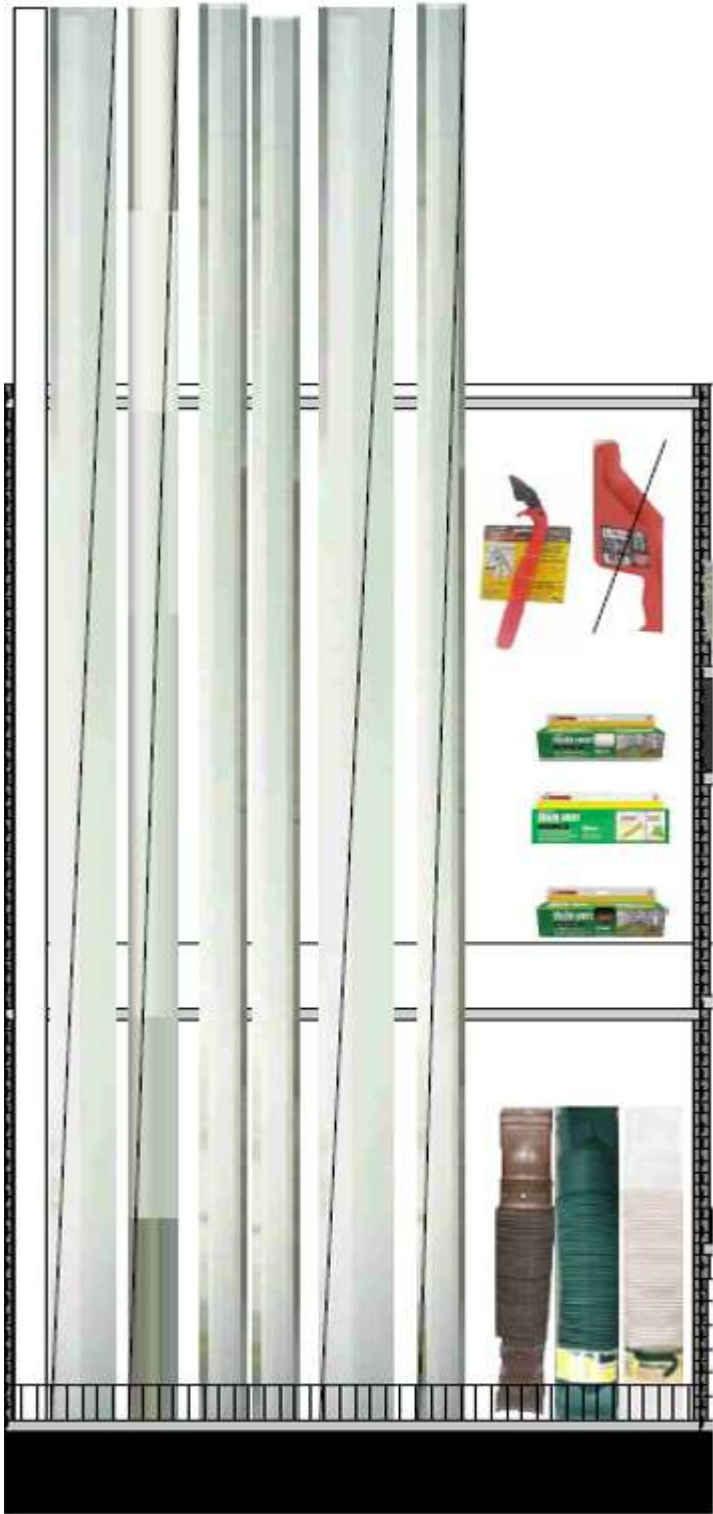
Electrical Conduit



Lumber / Molding / Wood Stakes



Gutters



General Safety Information

Garage Springs

Installation notes – Because of their weight, the garage springs should be set on a cross tube. The peg hook should not exceed 6 inches.



General Safety Information

Liquid Paint

Standard duty 22" base decks have a load capacity of 800 pounds. The weight of a 5-gallon bucket is around 60 pounds. From a load standpoint the standard base deck is sufficient. When a Load Easer is installed the load capacity increases to 1300 pounds.

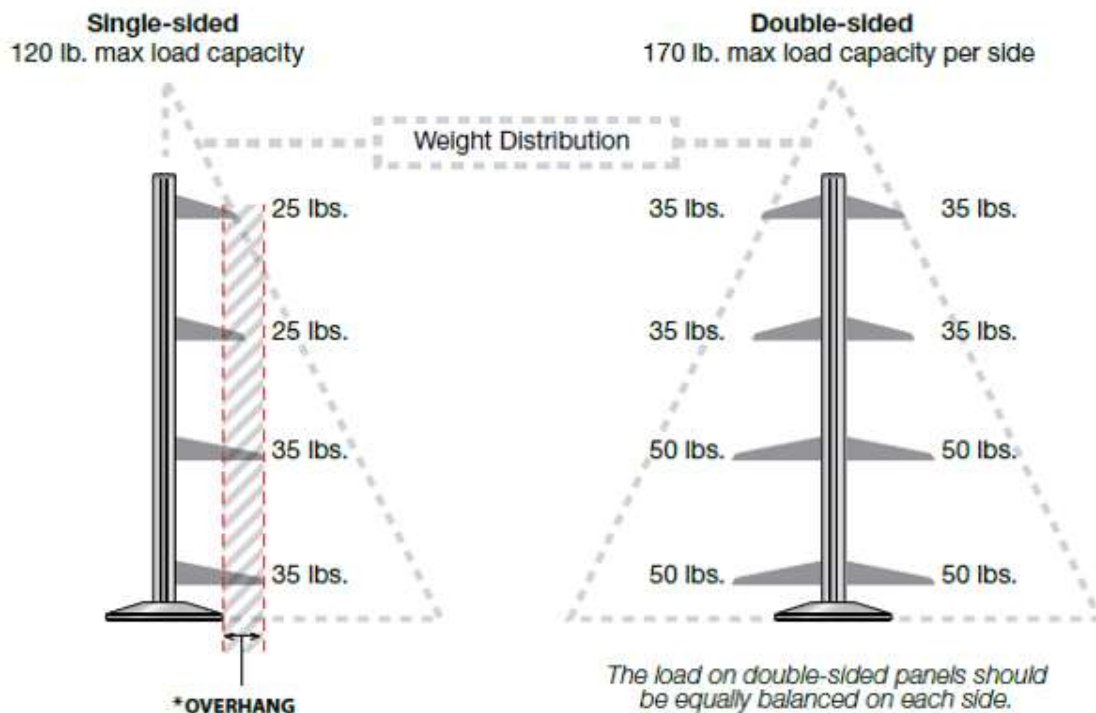


General Safety Information

Lavi Impulse Fixtures

Recommended Load Criteria for NeXtrac® In-Queue Merchandise System

- Loads should be distributed evenly across the length of the shelf.
- Keep heavy merchandise near the bottom of the panel and keep as close to the back wall as possible. Try to avoid heavy merchandise extending beyond the post base.*
- Do not stack more than 4 shelves high.
- Do not use more than two (2) 12-inch-deep shelves per panel side. These should be located towards the lower half of panel.
- Periodically check post-to-base connection and tighten as needed.



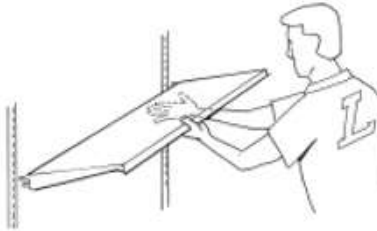
General Safety Information

Shelf Load Limits

ALLOWABLE SHELF LOAD LIMITS Do Not Exceed!

"S" & "TL" STYLE - Install flat or 17° downslant. To install, tilt front edge slightly upward and insert tabs into Uprite slots. Lift up on rear of Shelf while lowering front to desired position.

"DL" STYLE - Install flat, 17° downslant, 30° downslant or 15° upslope (7" thru 19"). To install, insert tabs on Shelf straight into slots in Uprite.



HELPFUL HINTS:

Lift and position "S" & "TL" Style Shelves by gripping front edge of Shelf with one hand and lifting rear edge from underneath with the palm of the other hand when lowering into level position from tilted entry into Uprite slots.

When removing "DL" Style Shelves, lift rear of Shelf to disengage bracket and relax lifting pressure while pulling the Shelf away from the Uprite.

SHELF AND DECK SIZES

SHELF TYPE	SHELF ANGLES	RECOMMENDED UNIFORM LOAD CAPACITY IN LBS.											
		7"	10"	13"	15"	16"	17"	19"	20"	22"	25"	28"	31"
"S" & "TL" Style Shelves & "SD" Decks	Flat	300	500	500	500	500	500	500	500	500	500	400	400
	17°Downslant	300	250	250	250	250	250	250	250	250	250	200	200
	Deck	—	—	800	—	800	—	800	—	800	800	800	800
"HL" & "HDS" Style Shelves and Decks	Flat	—	—	—	—	800	800	800	—	700	700	600	600
	30°Downslant	—	—	—	—	125	125	125	—	—	—	—	—
	17°Downslant	—	—	—	—	250	250	250	—	—	—	—	—
"DL"	Deck	—	—	—	—	—	—	900	—	1200	1200	1200	1200
	Flat	300	500	500	500	500	500	500	—	500	500	400	400
	30°Downslant	125	125	125	125	125	125	125	—	125	125	100	100
	17°Downslant	300	250	250	250	250	250	250	—	250	250	200	200
	15° Upslope	200	300	300	300	300	300	300	—	—	—	—	—

NOTE: Reduce capacities shown by 30% when only the front half of the shelf/deck is loaded or by 50% if the shelf/deck is less than 36" wide.

Add Load Easer Base Brackets for 500 lbs. Additional Deck Capacity

3
of 20



General Safety Information

Unbalanced Load Calculations

Unbalanced Load Calculations

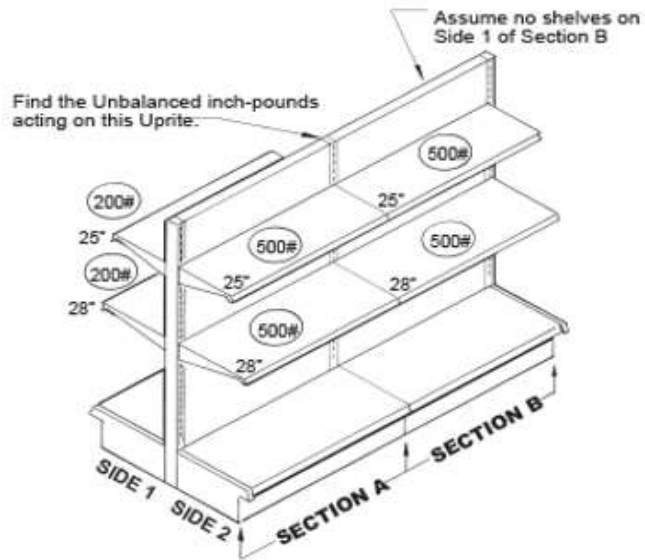
When heavily loading wall shelving or loading or unloading island shelving, it is important to determine if you are creating an unbalanced load that exceeds the maximum allowable load. The sample calculation below illustrates how you can determine your unbalanced load in inch-pounds.

NOTE:

Inch-pounds are a measure of the shelf loads acting at a distance ($\frac{1}{2}$ shelf depth) from the Upright.

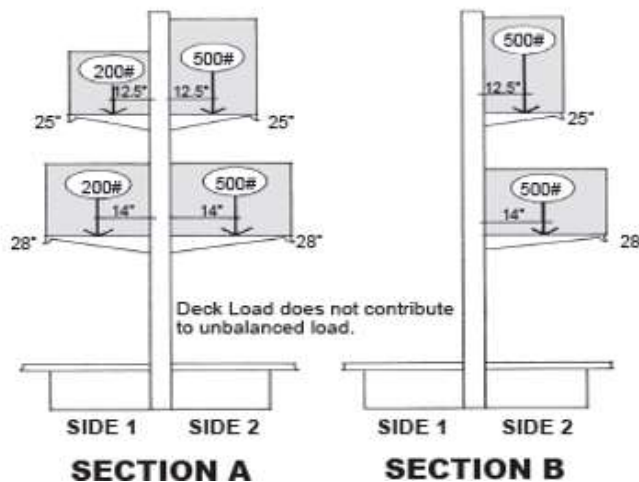
SAMPLE CALCULATION

1.



This loading situation may be represented by two separate loading sections, shown below as Section A & Section B.

2.



General Safety Information

Unbalanced Load Calculations (continued)

3.

NOTE:
Shelf depth is divided by 2 because an evenly distributed shelf load is calculated as a total load at center of shelf depth.

Shelf load is divided by 2 because a shelf load is supported by two uprights.

WALL SECTION UNBALANCED LOAD CALCULATION:

The method used to determine the unbalanced inch-pounds on a wall section is the same as the method shown for an island section. Simply consider the side without shelves having a load of zero.

NOTE: See Wall Section Warnings on page 7.

	(Shelf depth ÷ 2)	X	(Shelf load ÷ 2)	=	SIDE 1	SIDE 2
SECTION A	12.5"	x	100#	=	1,250" #	
	14"	x	100#	=	1,400" #	
	12.5"	x	250#	=		3,125" #
	14"	x	250#	=		3,500" #
SECTION B	12.5"	x	250#	=		3,125" #
	14"	x	250#	=		3,500" #
TOTAL (Section A and B)					2,650" #	13,250" # <small>(See Caution Below)</small>

Subtract the smaller unbalanced load from the larger:

13,250	inch-pounds
- 2,650	inch-pounds
<hr style="width: 50px; margin-left: 0;"/>	
= 10,600	inch-pounds

NOTE: " # indicates inch-pounds.

This is the total unbalanced load acting on the upright and must never exceed 12,000 inch-pounds with "06" Base Brackets or 15,000 inch-pounds with "LB" Base Brackets.

CAUTION:

In this example (for "06" Base Brackets), 10,600 inch-pounds does not exceed the 12,000 inch-pound limit. However, note that the total of Section A and B on Side 2 is 13,250 inch-pounds. This means that Side 2 would exceed the 12,000 inch-pound limit if loaded before Side 1, or if Side 1 was unloaded before Side 2. Therefore, in the above example, Side 1 (the side with the smaller load) must be loaded before Side 2 is loaded, and Side 2 must be unloaded to less than 12,000 inch-pounds before Side 1 is unloaded.

DO NOT EXCEED 12,000 IN-LBS UNBALANCED LOAD WITH "06" BASE BRACKETS!
DO NOT EXCEED 15,000 IN-LBS UNBALANCED LOAD WITH "LB" BASE BRACKETS!

General Safety Information

Heavy Duty Uprights

The use of heavy duty uprights, base brackets and upper shelves will be required in all sections where Paint and Stain gallons are being merchandised. Upon receipt of fixtures it is important to identify and separate these Heavy Duty uprights from the fixture shipment so that they can be easily

Identifying Lozier Uprights...Standard Duty vs. Heavy Duty

Photo below shows the Heavy Duty Upright (front with red pointer) face channel protrudes out from the side rail back retainer by approx. 3/16". The Standard Duty Upright (shown behind HD in photo) has face channel flush with the side rail.



accessed and installed in the required areas as indicated on the floor plan below.

General Safety Information

Heavy Duty Uprights (continued)

Capacity & Unbalanced Load Information for Heavy Duty (HD) Wall & Island Shelving



The Heavy Duty (HD) Wall and Island Shelving has more unbalanced load capacity than the standard shelving as shown in the "Unbalanced Load Calculations" on page 1B of "Display Shelving Installation Instructions" (01-13).

The Heavy Duty Low Base system has an unbalanced load capacity of 18,000 inch-pounds and the Heavy Duty O6 Base system has an unbalanced load capacity of 20,000 inch-pounds as compared with the standard capacity of 12,000 inch-pounds.

Follow the procedure shown below for calculating the "unbalanced load" on the Heavy Duty Wall or Island Shelving.

HEAVY DUTY UPRITE

The Universal Heavy Duty Upright (UH) will accept either an O6 Base Bracket or a Low Base Bracket. A 2-7/8" overall depth and an insert in the bottom of the Upright increase the unbalanced load capacity to 20,000 in lbs (O6), 18,000 in lbs (LB).



LOW BASE

O6 BASE

WARNING: These Heavy Duty capacities are only available when Heavy Duty Uprights and Base Brackets are used together. **DO NOT** mix Heavy Duty and Standard components.

IMPORTANT: Use Display Shelving Installation Instructions (01-13) for the remainder of the installation procedure. There are specific procedures for Removable Base Brackets.

HEAVY DUTY BASE BRACKET

O6 Base and Low Base Heavy Duty Base Brackets are available in depths from 22" through 31". All are removable style. Heavy gauge steel and a double thick hook combine to make this our strongest bracket. For easy identification, an "H" or "HD" is stamped in the side of the Base Bracket.

Reference the Lozier catalog and instructions for more information.

General Safety Information

End Cap Stabilizer Brackets

Every endcap will require the installation of an endcap Stabilizer Bracket as shown in picture #1 below. Ensure that the endcaps are level and plumb before securing bracket. There should be no uneven gap between the back panel of the endcap and the adjacent uprights as shown in picture #2 below.

End Cap w/Stabilizer

Stabilizer

24"

Stabilizer: Included with the 84" and 96" assembly.
Attach stabilizer 24" from the top of the End Cap using carriage bolts and wing nuts included.

WIDTH	PART NO.	LIST
36"	HMA7242	\$ 51.50

Picture #1
Endcap Stabilizer Bracket



SPECIAL WALL END STABILIZER
(End Caps that do not match the product height or product line extension apply.)

WARNING: FACE PROTECTORS MUST BE PRESENT ON WALL END.

NOTE: To attach the stabilizer use 5/16"-18 x 3 carriage bolt & 5/16"-18 wing nut.
(1) Place only 90° angle slots from extension apply only.

5/16-18 x 3 CARTRIDGE BOLT

5/16-18 WING NUT

1/8" WIRE SLIT

WALL END BRACKET

SHAKE DOWN WALL END

Picture #2
Endcap Flush with Upright



General Safety Information

Wall Anchoring

Anchoring Wall Section

ANCHORING INFORMATION

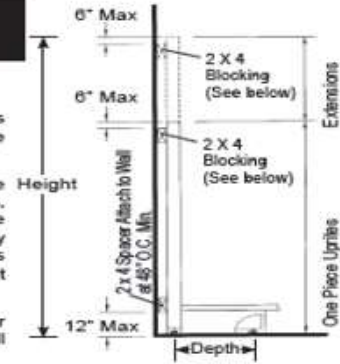
Anchoring of all Wall Sections is recommended for limiting deflection under loaded conditions, and is required when the fixture height exceeds the depth by a ratio of 8 to 1. Anchoring does not increase the unbalanced load capacity of the fixture.

The purchaser of the fixture is responsible for determining the suitability of any specific wall or structure to which shelving is anchored, for the selection of and/or proper installation of the anchoring fasteners, hardware and materials, and for the workmanship of those performing anchoring. These guidelines are meant to illustrate typical types of anchoring and do not constitute any endorsement by Lozier of any specific anchoring application. Each application will vary due to the building structure and materials used for anchoring. Professional advice from a registered professional engineer should be sought for each anchored installation.

As a guideline, anchoring should be located as shown in these illustrations. Anchoring situations other than those illustrated may be encountered. Extreme care must be taken to insure that the building wall or other structure is solid and suitable for anchoring and will support the load being anchored to it.

WARNING:

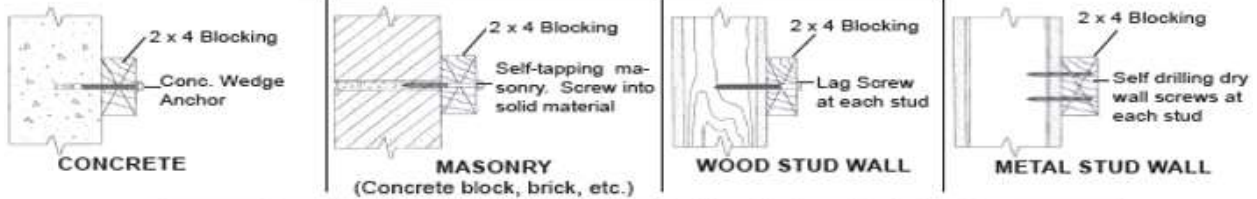
Do not use plastic or fiber anchors, concrete nails or regular nails.



BLOCKING LOCATIONS

Additional blocking may be required for a given application, to be determined by site architect or professional engineer.

METHODS FOR ATTACHING BLOCKING TO WALL



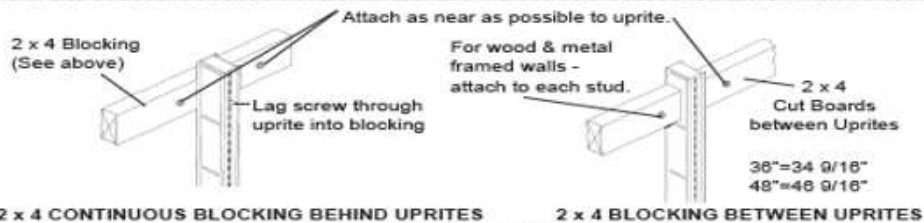
Size and quantity of fastener to be determined by site architect or professional engineer.

METHODS FOR ATTACHING UPRITE TO BLOCKING WITH WALL MOUNT BRACKETS



Size and quantity of fastener to be determined by site architect or professional engineer.

METHODS FOR ATTACHING UPRITE TO BLOCKING WITHOUT WALL MOUNT BRACKETS



Size and quantity of fastener to be determined by site architect or professional engineer.

8 of 20

01-13F

REV. BF

LZPCOA-811

02/2016

Lozier® Corporation 2016

LOZIER P.O. BOX 3448 • OMAHA, NEBRASKA 68103-0448 • (800) 228-9882

General Safety Information

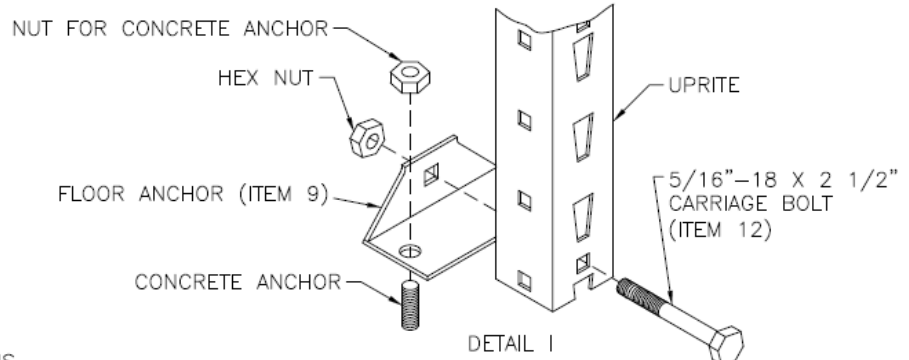
Wide Span Shelving – Floor Anchoring

2. FLOOR ANCHOR WIDE SPAN SHELVING

- Floor anchors are required when:
- a. The ratio of the height of the unit to the overall depth of the unit exceeds 6:1.
 - b. Alignment of rows need to be maintained.
 - c. When hand stackers are used.
 - d. Post load needs to be spread over a larger area.
 - e. When bottom of the bottom beam is more than 6" from the floor.

Bolt floor anchor onto the bottom of the post using hardware provided as shown in Detail I. Anchor to floor using a wedge-style anchor suitable for concrete. Anchor material, finish, diameter and embedment shall be determined by the customer for the specific site requirement.

The minimum anchor diameter shall be 1/4" and the minimum embedment shall be 1 1/8".



3. FLOOR PROTECTOR/SHIMS

Floor protector/shims are used to protect floors when required and/or to aid in leveling the system when required (by stacking the shims).

Note: See the complete Lozier wide span shelving installation instructions in the Ace Project Place Library under the 'Lozier' folder.

General Safety Information

Overhead Paint Sign Installation Guide

Hardware Included

(32) Bolt

(32) Nut

(4) Support bracket



(4) Metal Corner



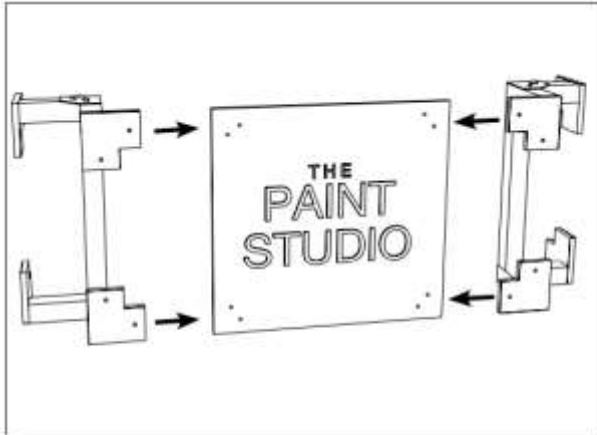
(2) Paint Studio Panel



(2) Benjamin Moore Panel



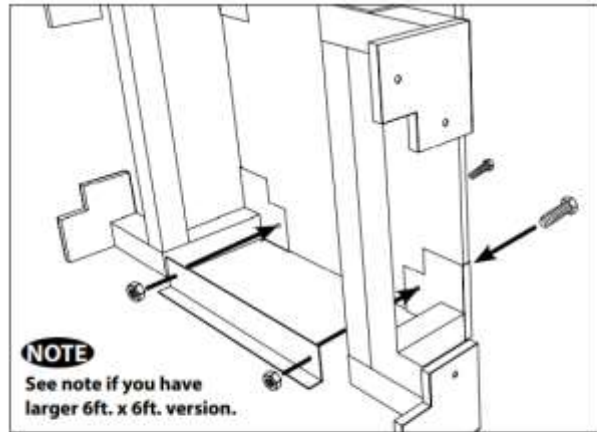
(4) Rattle lock and Cable



1 Slide on a metal corner (x2) on each end of the Paint Studio panel. Repeat this step for second Paint Studio Panel.

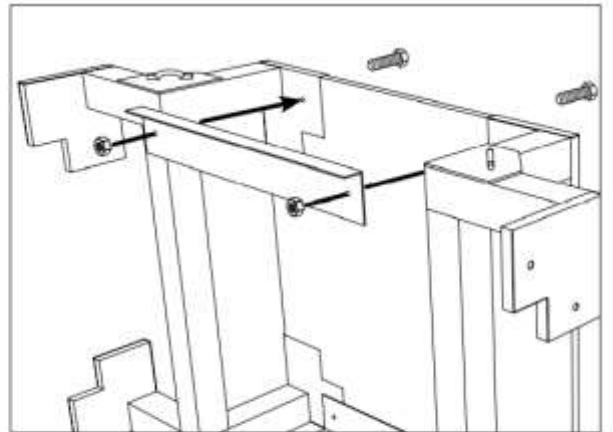


2 Secure metal corners to Paint Studio panel with four nuts and Bolts. Only attach bolts through the inner bolt holes at this time. Repeat this step for second Paint Studio Panel.



NOTE
See note if you have larger 6ft. x 6ft. version.

3 Attach a Support Bracket with (2) nuts and bolts to connect metal corners together. Repeat this step for second Paint Studio Panel.



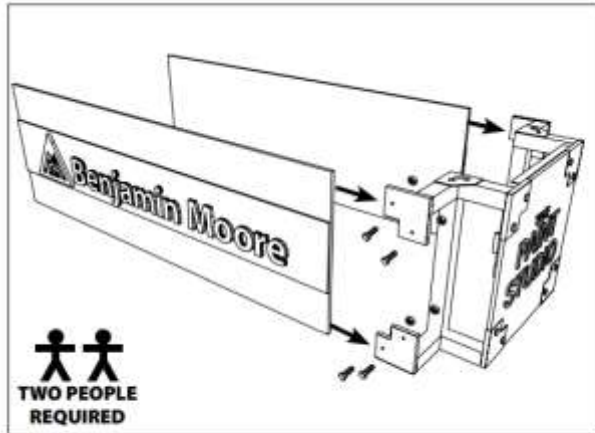
4 Attach a Support Bracket with (2) nuts and bolts to connect metal corners together. Repeat this step for second Paint Studio Panel.

NOTE Please note that steps 3 and 4 are not needed for larger versions with all 4 wood sides. Brackets are used to only support the 23" foam panels.

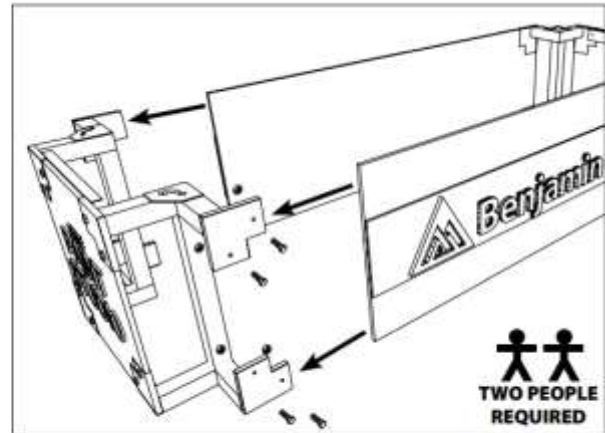
IMPORTANT: Please follow all local codes and guidelines when hanging elements. Please check with your local building department.

General Safety Information

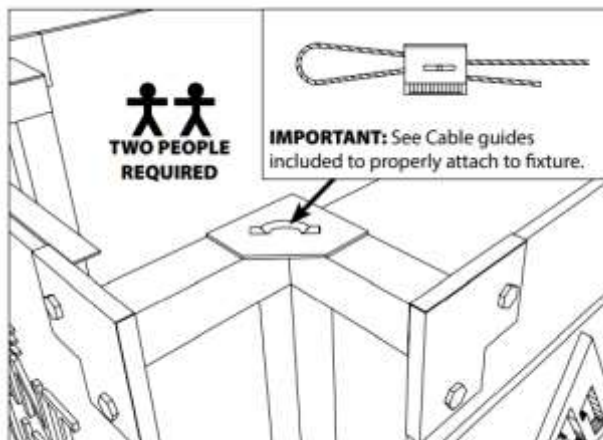
Overhead Paint Sign Installation Guide – cont'd



5 Slide in both Benjamin Moore panels into the paint studio panel with (x4) nuts and bolts on each panel. Two people are required for this step.



6 Connect both Benjamin Moore panels to the other paint studio panel with (x4) nuts and bolts on each panel. Two people are required for this step.



7 Use supplied cable and gripper locks at (4) hanging points.